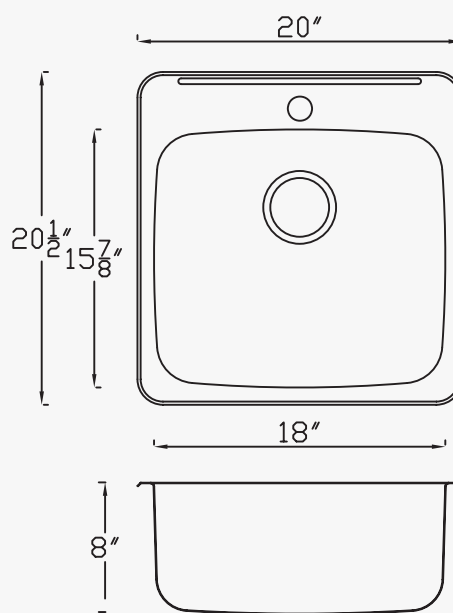


Stainless STEEL SINKS



- 18 Gauge With Pads To Reduce Sound.
- 18% Chromium 8% Nickel.
- Strainer Included.

SINK MEASUREMENTS

Imperial Unit

W 20 1/2" x D 20"

Metric Unit

W 520MM x D 510MM

SKU	MODEL	FINISH
1179898	CA2020	BRUSHED STAINLESS CENTER DRAIN DEPTH: 10"
1179899	CA2020	BRUSHED STAINLESS OFFSET DRAIN DEPTH: 10"
1186597	CA2020	BRUSHED STAINLESS OFFSET DRAIN DEPTH: 8"



TEAGOTM
Bath Solutions